

OWNERS MANUAL

with assembly instructions

Please read the manual before using the product. The manual and carton contain important information, please keep them properly for later references. If failure to following the instruction in the manual, it might be dangerous for your child.

In order to improve the product and quality, we may change the parts of structure, appearance, packing method, assembly method and function of the product without any notice. When there is any difference between the manual and the product, please subject to the actual product. We are sorry for any inconvenience.



Hollicy

The assembly manual of
battery operated car

Model: SX2088

Executive standard:

EN71-1

EN71-2

EN71-3

EN62115



WARNING:

Products should be assembled by an adult. Protective equipment should be worn. Not to be used in traffic. Not suitable for children under 3 years. Choking hazard- small parts. In unassembled state, contains potentially hazardous small parts. Please keep out of the reach of small children. Pay attention to the potential hazards of using the toy in areas other than private grounds.

PARTS LIST

PARTS NAME	PICTURE	QTY	PARTS NAME	PICTURE	QTY
Car body		1PC	Wind shield		1PC
Steering wheel		1PC	Seat		1PC
Mirror		2PCS	Engine hood		1PC
Wheel cover		4PCS	Front wheel		2PCS
Double-row rear wheel (optional)		2PCS	Single-row rear wheel (optional)		2PCS
Rear axle / Shock absorber		1SET	Motor box		1PC
Searchlight support		1PC	Driving motor (optional)		4PCS
Front axle		1PC	750 # motor (optional)		2PCS
MP3 player (optional)		1PC	Front bumper		1PC
MP3 player (optional)		1PC	Remote control		1PC
MP4 player (optional)		1PC	Hardware package		1PC
Charger		1PC	Manual		1PC

Disclaimer:

The pictures in this instruction are for assembly reference only. Please refer to the actual product.

WARNING:

This product is not the vehicle for transportation, it should be used under adult guidance. Parents should ensure that children have taken the safety measures before use.

The toy should be used with caution since skill is required to avoid falls or collisions causing injury to the user or third parties.

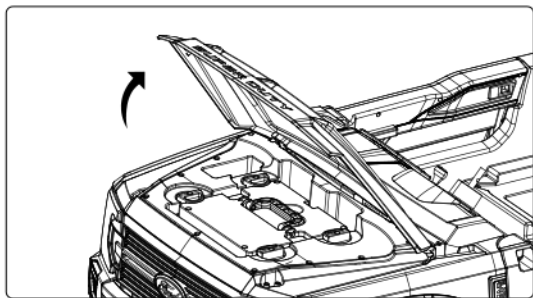
PRODUCT SPECIFICATIONS

Battery	12V10AH*2
Main material	PP
Suitable age	37-95 Months
Weight limit	60kg
Product size	145x85x75cm
Carton size	142.5X73.5X45.5cm
Speed	3-8KM/Hour
Runtime	1-2 hours after charging for 8-12 hours, based on ride on conditions
Charger	Input AC 110-220V Output DC 12V-1000mA Input AC 110-220V Output DC 24V-1000mA
Fuse	Auto-reset fuse

Stroller function (Optional)

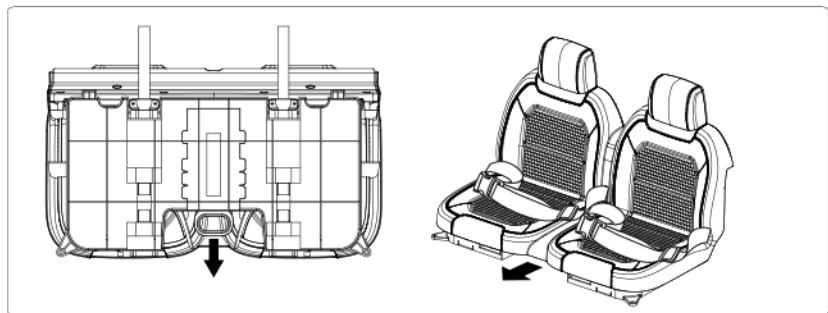
It is easy to move the car when you pull the handle and caster wheels out. When not needed, push them back to save space. (Four motors specification doesn't have this function)

Openable engine hood, convenient for battery maintenance



Adjustable seat function

Pulling the handle under the seat, the front and back position of the seat can be adjusted, it is easy to adjust the distance between the steering wheel and the kid, improve the driving comfort.



Assembly instruction

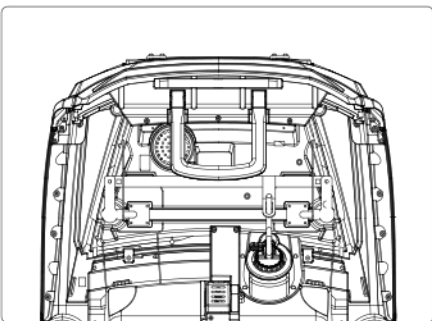
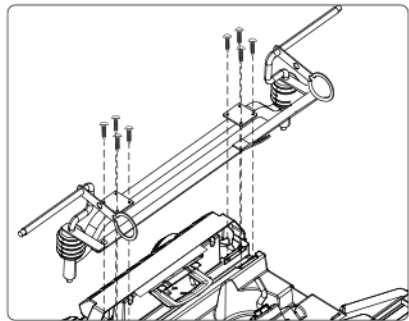
Car assembling should be done by the adults.

Take care of small parts. To avoid choking hazard, keep children away while assembling. Children under 36 months are prohibited to use.

Please count all the parts carefully before assembling and dispose the plastic bag properly. To avoid choking hazard, children are not allowed to play with the bag.

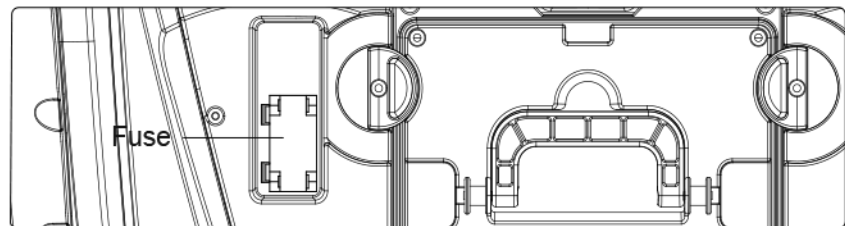
Front axle assembling

Turn over the car body, attach the front axle to car body, fix them with 4*16 big flat head screws. (The car which has led wheels specification needs to fix the led lights cable, use cable clamp to fix the cable on the front axle.)

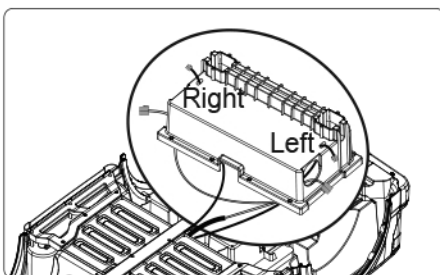
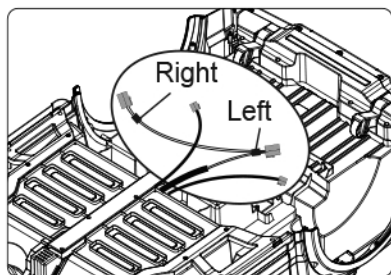


Power connection

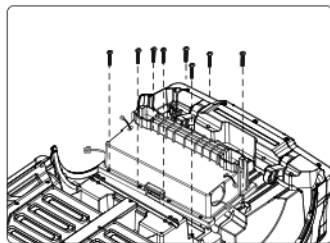
Open the engine hood, insert the fuse to connect the power.



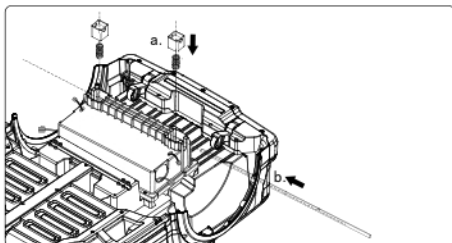
There are two motor cables under the car body, please distinguish between left and right from the stickers. Insert the left cable to the left big hole on motor box, insert the right cable to the right big hole on motor box. Led wheels is optional. The car with led wheels specification has other two cables, they don't need to distinguish between left and right. Insert them to the small holes on motor box separately.



Motor box assembling
Align the motor box with the corresponding position under the car body, fix with screws.

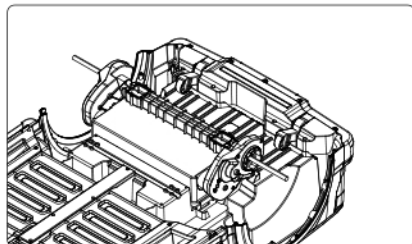
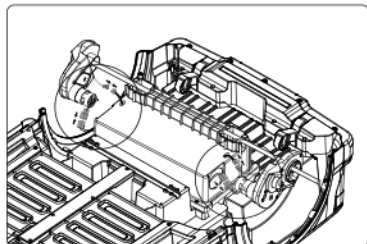


Rear axle assembling
Install the spring and shock absorber cover, insert the rear axle to the hole on car body from one side, at the same time, press down shock absorber cover, let the rear axle goes through the hole on shock absorber cover, make sure the axle length that extend out on both sides are same.



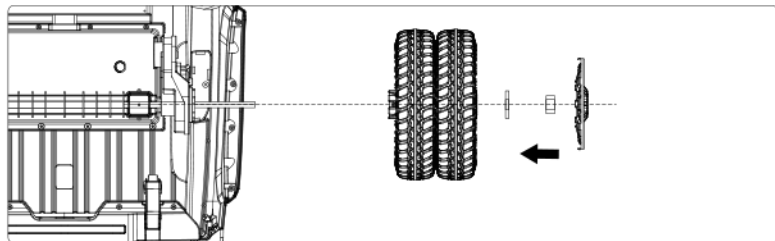
Motor assembling

Insert the motor to the axle, connect two cables from the motor and car body, the big plug connects the small plug.

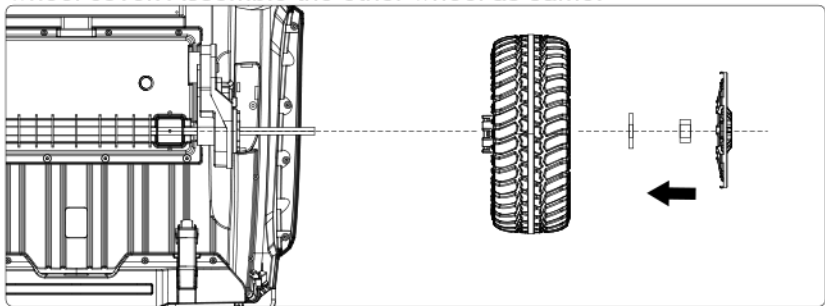


Wheel assembling

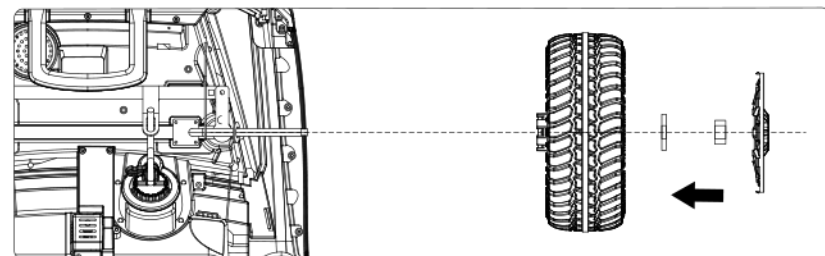
Double row rear wheels assembling: Insert the rear wheel and washer to the rear axle, fix the nut with sleeve tool. Then install the wheel cover. Assemble the other wheel as same.



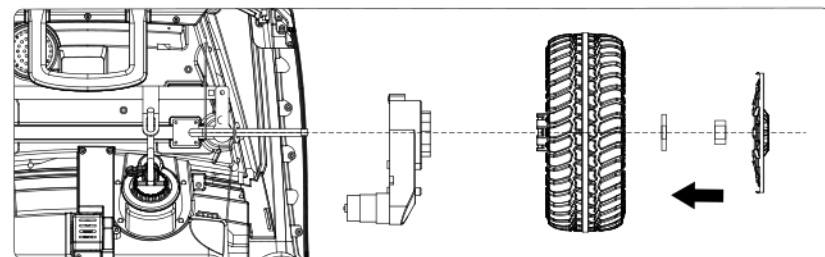
Single row rear wheels assembling: Insert the rear wheel and washer to the rear axle, fix the nut with sleeve tool. Then install the wheel cover. Assemble the other wheel as same.



Front wheel assembling: Insert the front wheel and washer to the front axle, fix the nut with sleeve tool. Then install the wheel cover. Assemble the other wheel as same. Led wheel is optional, the car with led wheels specification needs to connect the cables from front wheel and car body.

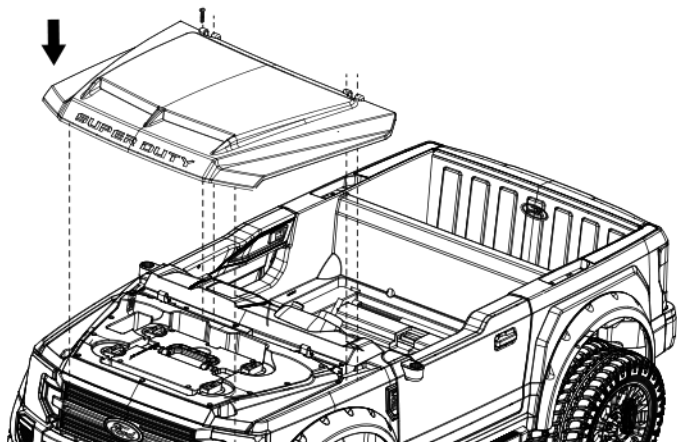


Front wheel with motor assembling: Insert front motor to the front axle, connect the cables from front motor and car body. Insert front wheel and washer to the front axle, fix the nut with sleeve tool. Then install the wheel cover. Assemble the other wheel as same.



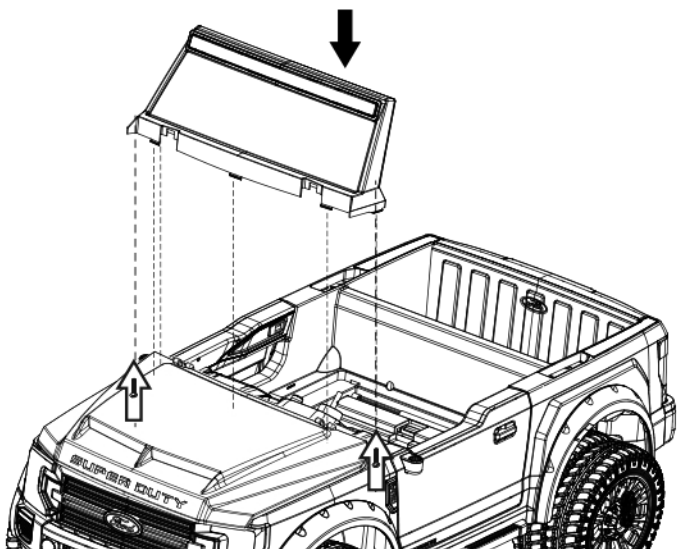
Engine hood assembling

Align the engine hood with the corresponding position, push it into place and fix with screws.



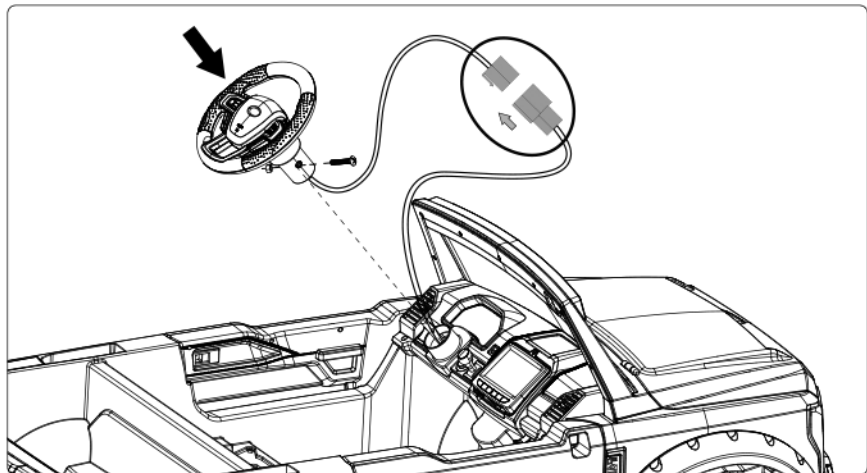
Windshield assembly

Insert the windshield to the corresponding openings on the car body, push it into place, fix the screws from bottom.



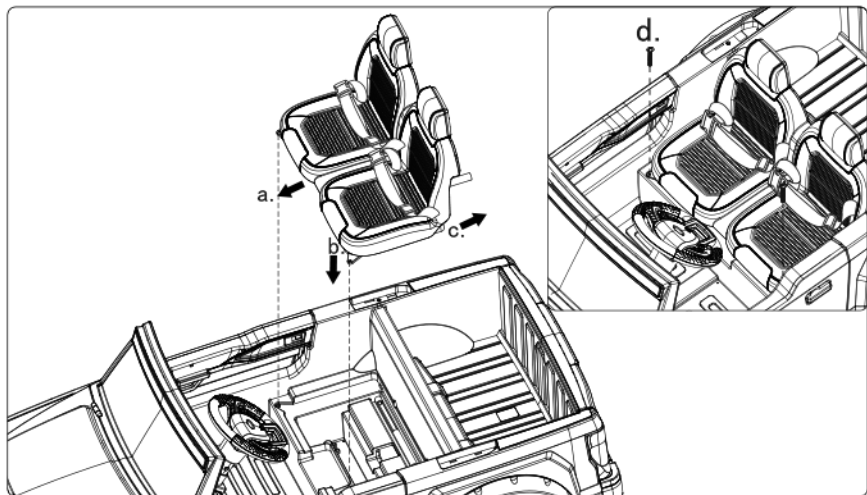
Steering wheel assembly

Match two connectors of the wires from steering wheel and steering column, hold on the steering axle under the car body, align the hole on steering wheel and steering column, insert screw and fix with the nut.



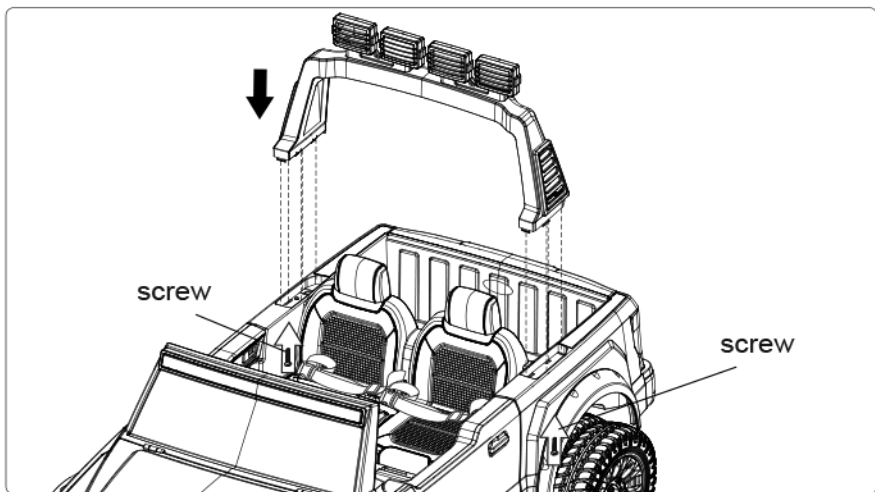
Seat assembling

Align the seat with the corresponding position on the car body, insert the hook into car body, fix with self tapping screws on both sides.



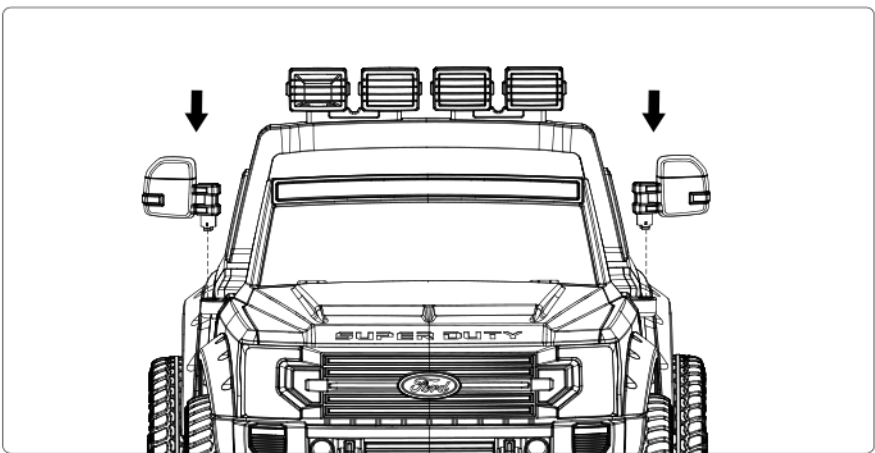
Searchlight support assembling:

Attach the searchlight support to the corresponding position on the car body, push it into place, fix the screws at the bottom of car body.



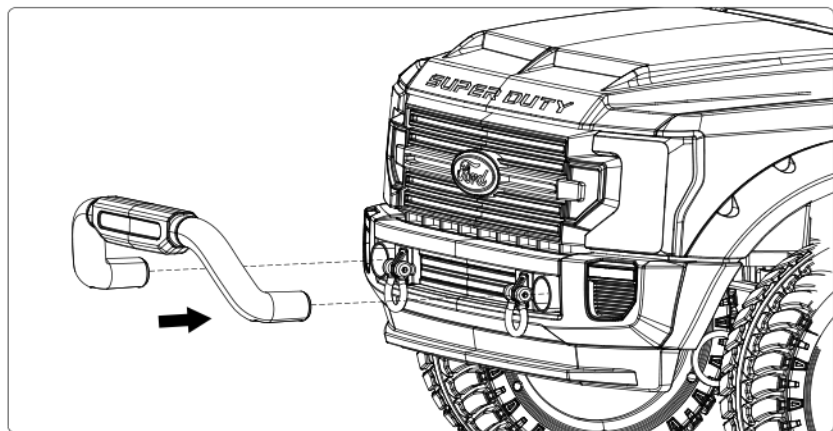
Mirror assembling:

Attach the mirrors to the corresponding position of two sides and push it into place.



Front bumper assembling

Attach the front bumper to the corresponding position of the car body, push it into place and ensure the hooks are firmly fixed.



FUSE

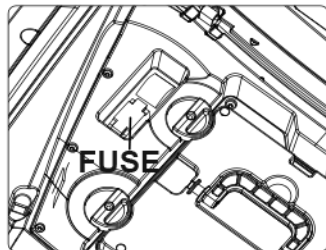
This car has a auto-reset fuse, if the car stops suddenly during driving, it is mainly caused by instantaneous current exceeds ,which makes the fuse to trip. Then just stop operating for about 8 seconds, and this fuse can be reset. Then turn on the power switch again. In order to avoid the fuse tripping and cutting off power supply, please pay attention to the following matters.

This product can't be overloaded, the maximum load is 60kgs.

Don't drag anything behind the product.

Don't let the water or other liquid into the batteries and other electrical components.

Don't change the circuit system and structure of the product.



SECURITY WARNING

- 1.The installation and charging of vehicle should be under adult supervision at all times.
- 2.This product is limited to the children from 37 to 95 months, 60 kg weight limit, please do not overload.
- 3.This product is ideal for driving on a hard flat surface.
- 4.It is strictly prohibited in the streets or the road, pot holes, and slopes.
- 5.Avoid driving in the sand or grass or uneven ground.
- 6.Children should be given full instructions on operation of the car. Improper operation can cause damage or accidents.
- 7.While children are driving, it is parents' duty to supervise at all time to avoid accidents.
- 8.Avoid driving in rains or flooded pathways. By doing so it can damage the motor, circuit and other electrical equipments.
- 9.Battery charger should be regularly inspected by parents to insure that the wires, plugs, crusts and other components are not damaged. Please stop using if any damage is found, until it is completely restored.
- 10.In order to ensure product life and safety, avoid damage to the charger, battery or electric circuit, the car must use the default configuration of a dedicated charger and power supply.
- 11.Rechargeable batteries should be removed from the toy before charging.
- 12.When no use of product, please cut off the product power, and keep all the switch to "stop" or "off" position.
- 13.The charger provided is not a toy. It is to be kept away from children.
- 14.Strictly prohibit using the non-manufacturer provided parts.
- 15.This product is made of PP material mainly, and the safe using time is two years.

USAGE DIRECTION

1. Before using it, make sure that all the following works are done.

- Step described in accordance with the instructions to complete the installation of the car, the battery plug-in has been connected, the power supply has been switched on.

- Make sure that all the positions which need the screws are fixed tightly.

- Parents or guardian should ensure that children have taken the safety measures before using.

To reduce the risk during using, pay attention the followings:

When driving the car ,child should sit on the car seat.

Adult or parents should take more care and guidance when child driving and can't leave away.

Pay attention to the driving environment and driving on the hard flat surface, not the unsafe environment.

For example:

a.The trenches, the riverside, slope or uneven ground;

b.Road or other places for driving and walking;

c.The obstruction which is easily hitting and causing injury;

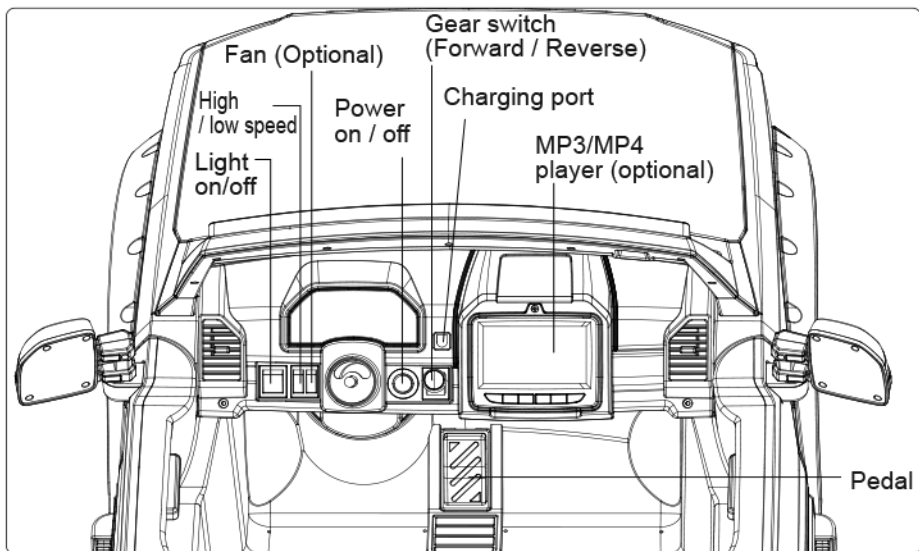
d.Other unsafe zones.

To avoid accident, please use only in daytime or bright place, avoid using under low visibility.

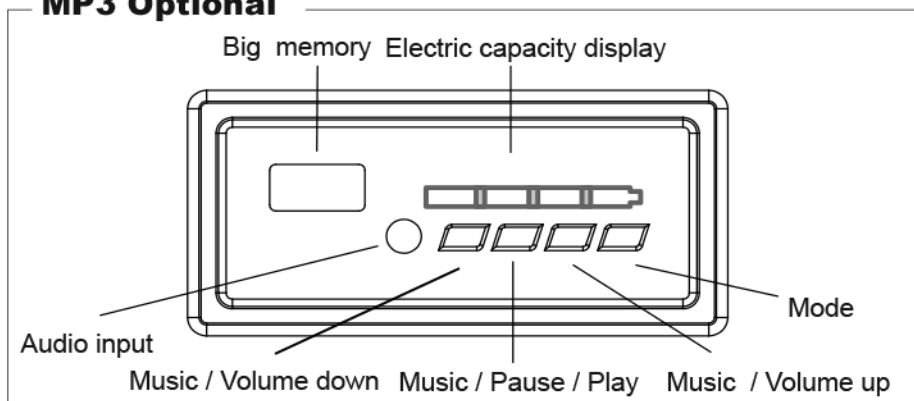
WARINING:

When changing , the pedal should be released and the car has completely come to a stop. Prohibit to change the gear while the car is still moving, because that can damage the wire and other transmission parts.

2. Operating(function reference diagram)



MP3 Optional



MP3 Optional

MP3/ Mode/ Electric capacity display

Wireless name

B: Wireless streaming

T: Small memory

U: Big memory

⚙️: Flash

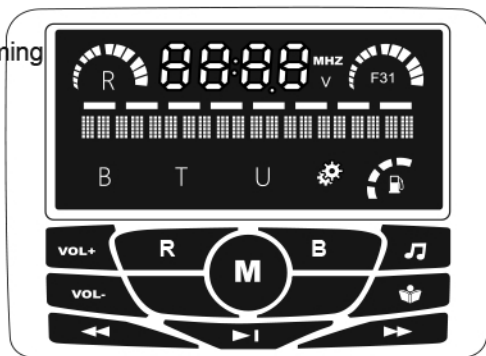
R: Radio

M: Mode

Volume +

Volume -

Previous



MP3 balance
waveform

Power capacity

Wireless streaming

Music

Story

Next

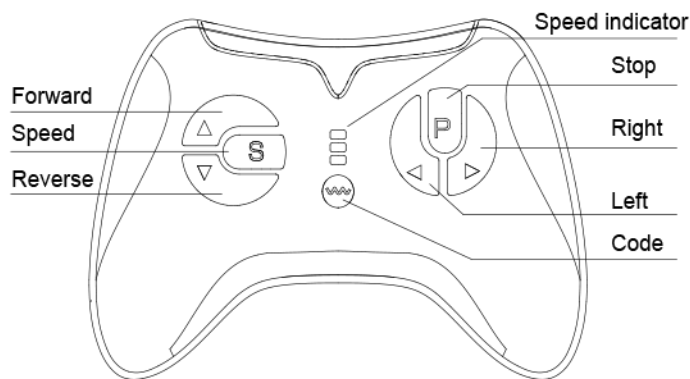
↑
Microphone input
/ Audio input

Play/ Pause

↑
Big memory

↑
Small memory

Remote control instruction



2.4G Remoter Control Instructions

For the first time using, please match the remote control with the car, this product has a memory function, battery replacement does not need to match the code once again.

- ①. Long press "code" button more than three seconds, until the first LED lights flashing.
- ②. Turn on the power on the car, the first LED light on the remote control turns on indicating the successful pairing with the car.
- ③. When the remote control is not used for a while, it will automatically enter a sleep mode, press any key to wake it up.
- ④. Key Description: "△" Forward, "▽" Reverse, "◁" Left, "▷" Right, "S" Speed, "P" Stop.

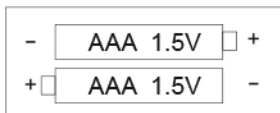
Press the "S" key to select the speed, 1 LED indicates low speed, 2 LED indicates medium speed, 3 LED indicates high speed, the car reverse with only medium speed.

Press the "P" key, the car will stop immediately, all LED starts flashing, press this button again to release the brake function.

WARNING:

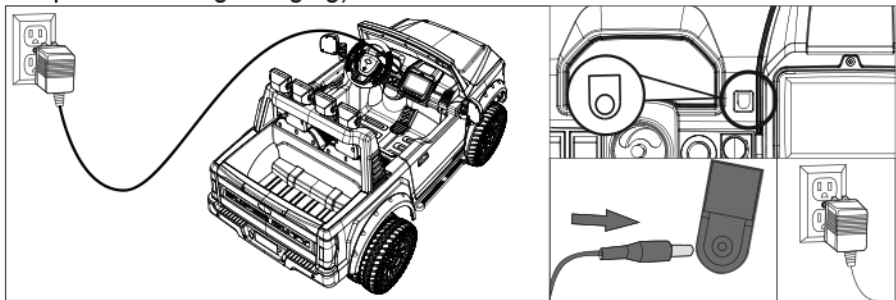
- 1 . When operating the car, the distance between the car which kid sit in and the remote control which operated by adults should not be more than 10 meters.
- 2 .The remote is only for adults to use, keep far away from child.
- 3 .Before using the remote, you must read the instruction manual carefully, and operate the empty car first , only when knowing the way of operation, you can use the remote with kid in the car.
- 4.This product should not be used on traffic road and the place with water and obstacles.
5. To Avoid damaging the circuit, please keep the remote control from wet and in rains.
- 6.Don't mix old and new batteries and different brands of dry batteries.
7. In order to avoid damaging the remote control, please take out the batteries if not use the remote control for a long time to avoid battery leakage and circuit corrosion.
- 8.Avoid dropping the remote control during using.
- 9.Install batteries with right polarity to avoid battery short circuit.
- 10.Charging must be done by adults. Non rechargeable batteries can't be charged.
- 11.Exhausted battery should be removed from the toy properly and prevent children from playing.
- 12.Take out the battery if no use for long time, properly handle the battery, and prevent children from playing.
- 13.If the remote distance is less than 3 meters, it means the battery is down in the remote control, it is time to change the 2 pieces of AAA alkaline batteries.

How to insert batteries: Use screwdriver to loosen the screw on the back of the remote control, open the battery cover, and install two AAA 1.5V alkaline type batteries according to the diagram (Batteries are self-provided), then close the battery cover,and fix with screw.



CHARGING WAY

- For Safety purpose ,the charging must be done by adults.
 - Insert the fuse before its first use, and battery needs to be charged for 8-12 hours.
 - Charging socket is locate on the dashboard, follow the instructions to charge the battery.
 - If the car has slowed down, it needs to be charged by 8-12 hours, maximum 20 hours.
1. First insert the plug of the charger into the charging port.
 2. Then insert the charger to the power socket. (The car cannot be operated during charging)



Attention:

- Can only use the charger and battery according to manufacturers regulations.
- Do not mix old and new or different types of batteries.
- The battery terminal should not be short circuit.
- Do not open the battery or charger.
- Do not reverse the battery.
- Before charging, please check whether the charger, battery and plug are ok, if you find any broken parts, you must stop using it immediately. And do not use it until it is fully repaired.
- The battery will be little warm when being charged, it is normal. If not, it may be caused from the short circuit of charger or circuit board.
- Must use the pressing plate to fix the battery.
- Run out of battery must be handled by adults, remove the battery which has run out from toys to recycle properly and shall not be arbitrarily discard.
- If the product is going to be stored unused long time , it must be fully charged, and charge it every 3 months ,so as to make sure the battery life.
- Charger and Battery are not toys. Keep them away from children.

MAINTENANCE AND SERVICE

- 1, Before use, parents should check whether all parts like batteries, charger, wires, plug, outer body and other parts are in good condition, check whether the screws are loose and whether there are potential safety hazards. Any damaged parts founded should be repaired before using.
- 2, After using the product for a period of time, use a small amount of lubricating oil to the moving parts to prevent wear and tear of rust.
- 3, Keep the car away from fire and direct sunlight. Place it stably, not upside down. The car shall be stored indoors or outdoors under cover.
- 4, The car should be kept away from hot items, such as stoves or heaters, or the plastic parts will melt. When charging, the car should be kept away from inflammable materials to prevent it from catching fire.
- 5, Charge in time after use. Charging should be done by adults. If the product is going to be unused for a long time, it must be fully charged. Charge it every month so as to extend the battery lifespan.
- 6, A soft cloth must be used to clean the car. Do not use chemical solvents to clean the plastic parts. Do not use soap or water to clean the car. Driving in rainy or snowy weather, water can damage the motor, battery and circuit system.
- 7, When stopping or storing the car, please cut off the power and make sure all switches are in the 'STOP' or 'OFF' position.
- 8, Do not use fuses different from the specifications of this product.
- 9, Do not change the product structure and circuit system. Maintenance and repair work must be done under the guidance of the professional or technical personnel in place.
- 10, Do not use the product for other purposes. Put the battery in the right polarity.
- 11, Battery negative short circuit is prohibited. Non-rechargeable batteries cannot be charged.
- 12, Rechargeable batteries can only be charged under the supervision of the adult.
- 13, Do not mix old and new batteries or different types of batteries.
- 14, The battery running out of power should be removed from the car properly and not allowed to be played by children.
- 15, Disconnect the batteries completely when not in use and do not allow children to play with them.

TROUBLESHOOTING

Car does not move or power on	If "power" switch is in OFF position
	If the fuse is not functioning properly
	If the battery is not connected, check the red and black wires.
	If the charger is plugged in, car will not power on. Unplug charger.
	If the pedal switch is not functioning properly
	If the wheels stuck and cannot move
Car moves slowly	If the battery is not fully charged. Need to be charged in time
	If there is an issue with the wheels
	If rider weight exceeds specifications
Battery does not charge	If the charger is malfunctioning
	If the battery lost its capacity
	If the charger and battery connection are charged

PINGHU SHUANGXI BABY CARRIER MANUFACTURE CO.,LTD.
PINGHU BABY CARRIER INDUSTRY CITY, ZHEJIANG, CHINA